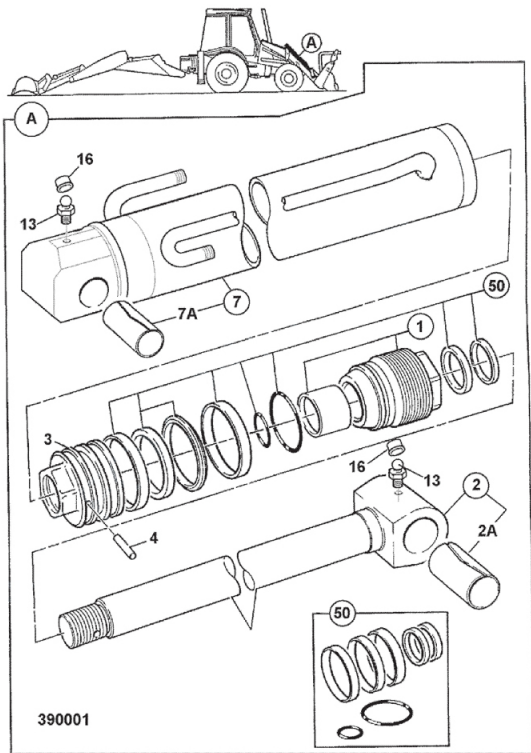




9812/0010 E4-2-3 RAM, SHOVEL, 40MM ROD X 70MM
CYL,

CYL,





9812/0010 E4-2-3 RAM, SHOVEL, 40MM ROD X 70MM

CYL,

Item	Part #	Change No	Description	Usage Code	QTY
A	556/60424		Ram shovel 70 x 40 standard, no shovel reset brackets <i>1 off if shovel reset fitted</i>	A	2
A	556/60422		Ram shovel 70 x 40 fitted with shovel reset brackets <i>if shovel reset fitted</i>	B	1
1	:332/D4842		Kit - end cap assembly		1
2	:590/31200		Rod piston <i>no shovel reset</i>	A	1
2	:590/40526		Rod piston+ shovel reset 40x1028 <i>with shovel reset</i>	B	1
2A	::1208/0015		Bush Spring		1
3	:595/10027		Head piston		1
4	:826/01182		Dowel		1
7	:556/70359		Cylinder shovel ram no reset <i>no shovel reset</i>	A	1
7	:556/70361		Cylinder shovel ram with reset <i>with shovel reset</i>	B	1
7A	::1208/0018		Liner Steel		1
13	:1450/0001		Nipple Grease, Straight 1/8 BSP		2
16	:835/00017		Cap Grease Nipple		2
50	:332/D4850		Kit seal 70X40		1