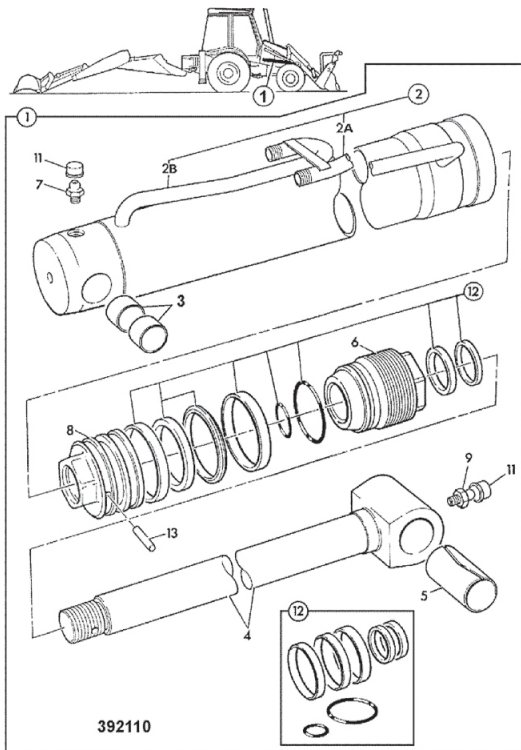




9812/0010 E4-1-1 RAM, LIFT, STANDARD, 50MM ROD X  
80MM CYL





# 9812/0010 E4-1-1 RAM, LIFT, STANDARD, 50MM ROD X 80MM CYL

Item	Part #	Change No	Description	Usage Code	QTY
1	576/60128	Superseded	Ram loader lift		1
1	576/60158		Ram loader lift <i>see E4-1-2</i>		1
2	:576/70127		Cylinder loader lift		1
2A	::551/90195		Pipe ram feed		1
2B	::655/10163		Pipe piston side		1
3	:831/10181		Bearing 50.94x55.9x40 Long		2
4	:590/40578		Rod piston		1
5	:1208/0015		Bush Spring		1
6	:594/14019		Kit-end cap 50 x 80 service assembly		1
7	:1450/0001		Nipple Grease, Straight 1/8 BSP		1
8	:595/10035		Head piston		1
9	:1450/0001		Nipple Grease, Straight 1/8 BSP		1
11	:835/00017		Cap Grease Nipple		2
12	:991/00102		Kit seal 50mm rod x 80mm cyl		1
13	:826/01182		Dowel		1